


INCIZO® METAL PROFILE RESIDENTIAL USE



<u>Order code</u>	<u>Dimensions</u>	<u>Picture</u>	<u>Packing unit</u>
QSINCPRGOLDME93	47,4 x 930 x 11,4 mm		1 (handle and rail included)
QSINCPRSILVME93			
QSINCPRGOLDME270	47,4 x 2700 x 11,4 mm		
QSINCPRSILVME270			



Product description

The metal profile with Incizo® technology provides a simple solution for a perfect finish to your Quick-Step® floor. You can create any profile imaginable with the handle supplied: expansion profile, adapter profile, transition profile and also an edge profile.

The Incizo® profile provides a handy and economic solution. Available in gold and silver tone and in 2 different lengths.

Contents: 1 metal Incizo® profile, rail, 1 handy handle.

This profile cannot be used with 12 mm floors.

Applications

Wood is the main component of your Quick-Step® floor. Room humidity may vary from season to season, so it is vital that the floor is able to expand and contract. The floor must be able to expand and contract on all sides. This is why an expansion gap of at least 8 to 12 mm must be provided around the floor. The Quick-Step® metal profile with Incizo® technology can be used to finish this gap. Quick-Step® also has a wide range of skirting boards for the perfect finish of the expansion gap (against a wall). (You can find more information about our Quick-Step® skirting boards at www.quick-step.com).

1 PROFILE
4
APPLICATIONS

The Quick-Step® metal profile with Incizo® technology can be used in 4 different applications.

√ Expansion profile

The Quick-Step® expansion profile is used to join two floors in: doorways, door openings, L-shaped rooms or rooms where the floor is greater in distance than 12 m in length or width.



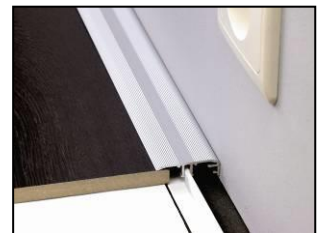
√ Adapter profile

the Quick-Step® adapter profile ensures a smooth transition from a Quick-Step® floor to an alternative floor covering at a lower height, like tiles, vinyl or parquet.



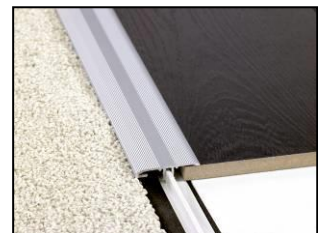
√ Edge profile

The Quick-Step® edge profile is used to finish the edge of a floor against a vertical surface such as sliding doors, low open windows, a slightly higher doorstep or tiled floor.



√ Transition profile

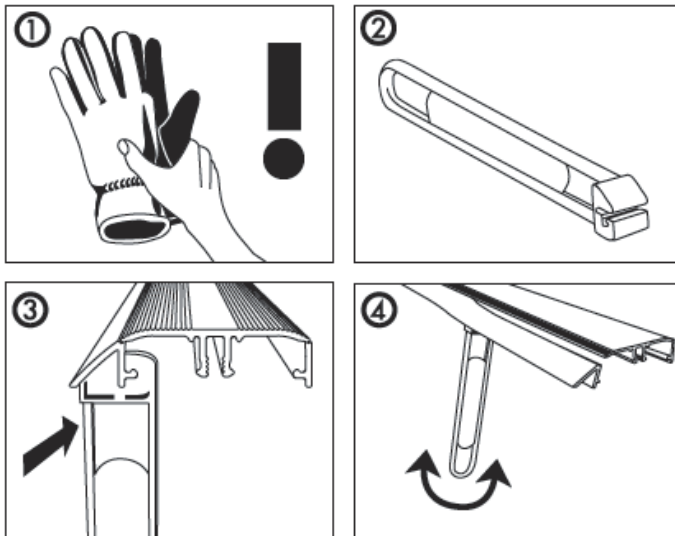
The Quick-Step® transition profile can be used to cover the transition to a fixed carpet, for example.



Specifications

- √ Suitable for all interiors
The profile is available in 2 colours: gold and silver. These colours are suitable for a perfect finish in all interiors.
- √ Available in two different lengths
The metal profile with Incizo® technology is available in two different lengths (93cm and 270cm). The short profile is handy for small door openings, while the long profile is perfect to finish your floor along walls.
- √ Complete package
The rail and the handle are supplied together with the multifunctional profile.
- √ High quality
The multifunctional profile consists of high quality metal.
- √ Economical
You can use the profile leftovers in other applications, so there is less waste.
- √ Easy
Another added benefit of this multifunctional profile is that you always have the right solution at hand. You can create any profile imaginable with the handle supplied: expansion profile, adapter profile, transition profile and also an edge profile.

Instructions



How to use the supplied handle?

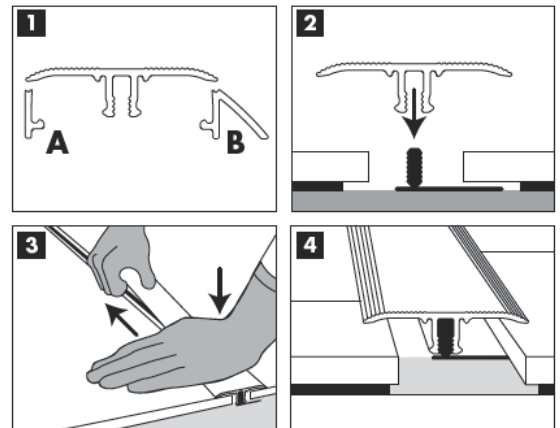
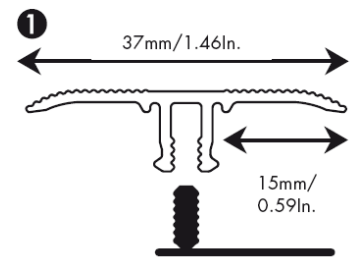
The handle can be used very simply to remove one or two pieces of the profile to obtain an adaptor, edge or expansion profile.

Place the handle on the profile (see illustration 3). Make an up-and-down movement with the handle (see illustration 4); do this whilst you slide it over the length of the profile in a smooth movement. Take off the piece to be removed.

√ Expansion profile

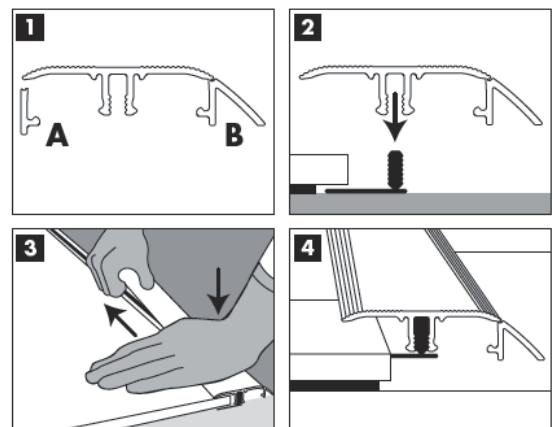
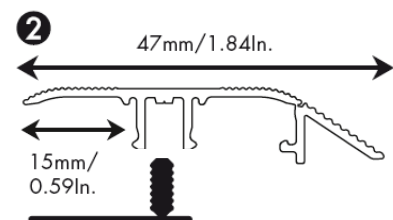
First cut the profile to the right length. Using the handle, remove part A and part B to obtain an expansion profile. While installing the floor, be sure to allow a sufficient gap between the two surfaces to be joined by the profile. Cut the rail to the

right length and place it in the middle of the gap between the two floor surfaces. You can easily attach the rail with Quick•Step® ONE4ALL glue. If you wish, you can also choose to use screws. Gently press the profile from one side of the rail to the other. Press against the floor.



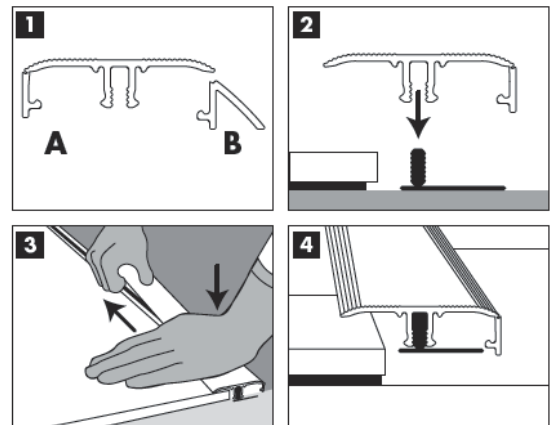
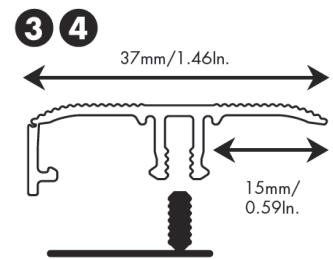
√ Adapter profile

First cut the profile to the right length. Using the handle, remove part A to obtain an adapter profile. Mark the ground to indicate how far the edge of the flooring will extend. Allow the underlay to extend until just before that line: It is best to place the rail (on which the adapter profile will be clamped) later on top of the subfloor. Make sure that there is enough distance between your flooring and the edge of the underlay (it is very important that the expansion gap is sufficient). Fix the rail to the subfloor, with the long lip in the direction of the floor. You can easily attach the rail with Quick•Step® ONE4ALL glue. If you wish, you can also choose to use screws. Gently press the profile into the rail from one side to the other. Press against the floor.



√ Edge profile / Transition profile

First cut the profile to the right length. Using the handle, remove part B to obtain an end profile.
 Installing against a vertical surface: Cut the plastic rail to the correct length and fit it with the long lip in the direction of the vertical surface. Position the rail with the aid of the profile. You can easily attach the rail with Quick•Step® ONE4ALL glue. If you wish, you can also choose to use screws. Gently press the profile into the rail from one side to the other. Press against the floor.
 Installing against a horizontal surface:
 Identical to installing an adaptor profile.



√ Installation of the rail

- With Quick-Step® ONE4ALL GLUE:
 All rails can be attached firmly to the base with this extra-strong glue. You do not need to worry about underground pipes as you do when using screws. This glue also has a high initial bonding strength which means the Metal Incizo® profile can easily be pressed into the rail immediately..
- With screws:
 The rail can be attached to the base with screws. Use the pre-drilled holes of the rail for this. Be careful for underground pipes.

